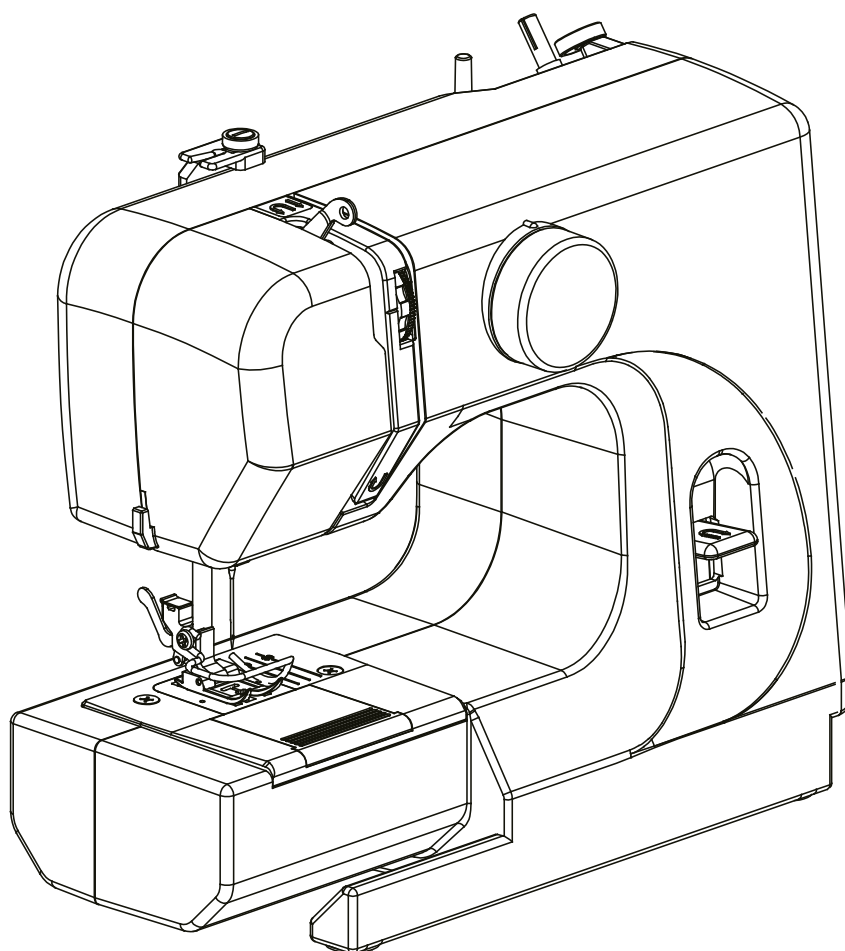


Instruction Book

M1000 / M1005



SINGER®

IMPORTANT SAFETY INSTRUCTIONS

Read all instructions before using this household sewing machine.

When using an electrical appliance, basic safety precautions should always be followed, including the following:

Keep the instructions at a suitable place close to the machine. Make sure to hand them over if the machine is given to a third party.

This appliance is intended for use by adults. The appliance can be used with adult supervision by (i) children aged from 8 to 12 years and (ii) persons with reduced physical, sensory or mental capabilities or lack of experience and knowledge if they have been given instruction concerning use of the appliance in a safe way and understand the hazards involved. Cleaning and user maintenance shall not be made by children without supervision. It is not allowed for anyone to play with the machine. Children up to 8 years are not allowed to use the machine.

WARNING – To reduce the risk of burns, fire, electric shock, or injury to persons:

- A sewing machine should never be left unattended when plugged in. The electrical socket, to which the machine is plugged in should be easily accessible. Always unplug this sewing machine from the electric outlet immediately after using and before cleaning, removing covers, lubricating or when making any other user servicing adjustments mentioned in the instruction manual.
- Do not allow to be used as a toy. Close attention is necessary when this sewing machine is used by or near children.
- Use this sewing machine only for its intended use as described in this manual. Use only attachments recommended by the manufacturer as contained in this manual.
- Never operate this sewing machine if it has a damaged cord or plug, if it is not working properly, if it has been dropped or damaged, or dropped into water. Return the sewing machine to the nearest authorized dealer or service center for examination, repair, electrical or mechanical adjustment.
- Never operate the sewing machine with any air openings blocked. Keep ventilation openings of the sewing machine and foot control free from the accumulation of lint, dust, and loose cloth.
- Keep fingers away from all moving parts. Special care is required around the sewing machine needle.
- Always use the proper needle plate. The wrong plate can cause the needle to break.
- Do not use bent needles.
- Do not pull or push fabric while stitching. It may deflect the needle causing it to break.
- Wear safety glasses.
- Switch the sewing machine off ("0") when making any adjustment in the needle area, such as threading needle, changing needle, threading bobbin, or changing presser foot, etc.
- Never drop or insert any object into any opening.
- Do not use outdoors.
- Do not operate where aerosol (spray) products are being used or where oxygen is being administered.
- To disconnect, turn all controls to the off ("0") position, then remove plug from outlet.
- Do not unplug by pulling on cord. To unplug, grasp the plug, not the cord.
- The foot control is used to operate the machine. Never place other objects on the foot control.
- Do not use the machine if it is wet.
- If the LED lamp is damaged or broken, it must be replaced by the manufacturer or its service agent or a similarly qualified person, in order to avoid a hazard.

- If the cord connected with the foot control is damaged, it must be replaced by the manufacturer or its service agent or a similarly qualified person, in order to avoid a hazard.
- The machine must only be used with foot control manufactured by Kuang Tsuow Enterprise Limited.

SAVE THESE INSTRUCTIONS

Input: DC6V 1200mA
POLARITY \ominus — C — \oplus

TABLE OF CONTENTS

SECTION 1. NAMES OF PARTS

Standard Accessories.....	3
---------------------------	---

SECTION 2. GETTING READY TO SEW

Connecting Machine to Power Supply.....	3
Foot Switch.....	3
Presser Foot Lifter.....	4
Reverse Stitch Control.....	4
Finger Guard.....	4
Bobbin Winding.....	5
Removing the bobbin.....	5
Inserting the bobbin.....	7
Threading the Machine.....	8
Drawing up Bobbin Thread.....	9
Changing Needle.....	10
Selecting Needle and Thread.....	10
Adjusting the Needle Thread Tension.....	11
Tension is too tight.....	11
Tension is too loose.....	11
Stitch Selector.....	12

SECTION 3. BASIC SEWING

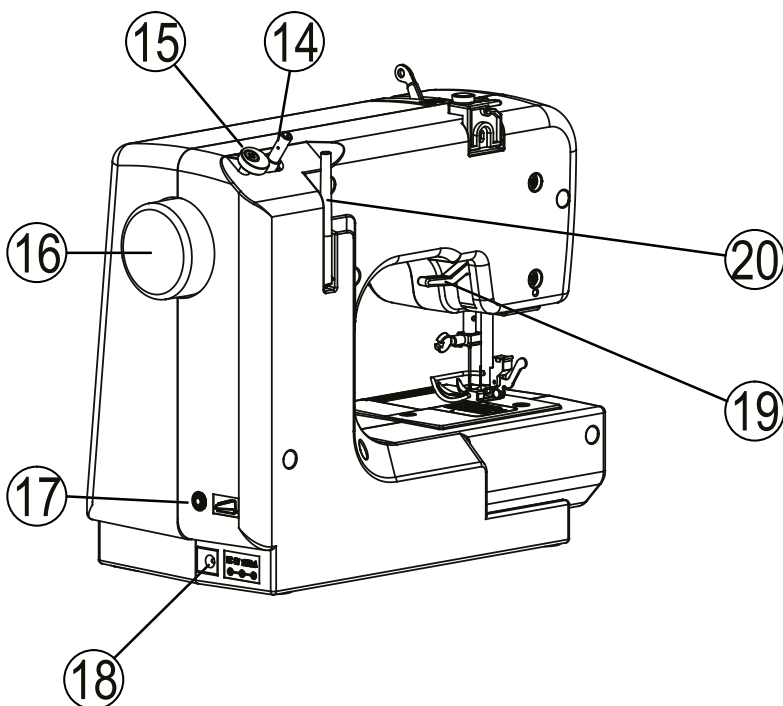
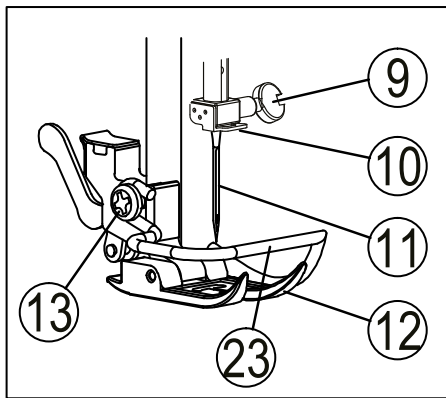
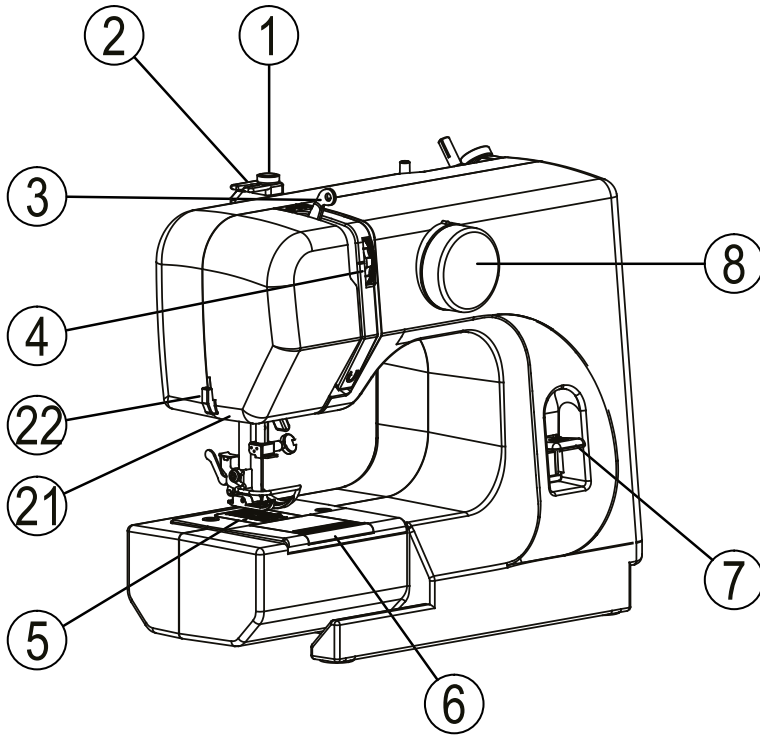
Securing a seam.....	13
Finishing sewing.....	13
Turning a Square Corner.....	14
Basic Zigzag.....	14
Overcasting with zigzag stitch.....	14
Multi-stitch zigzag.....	15
Blind stitch.....	15

SECTION 4. CARE OF YOUR MACHINE

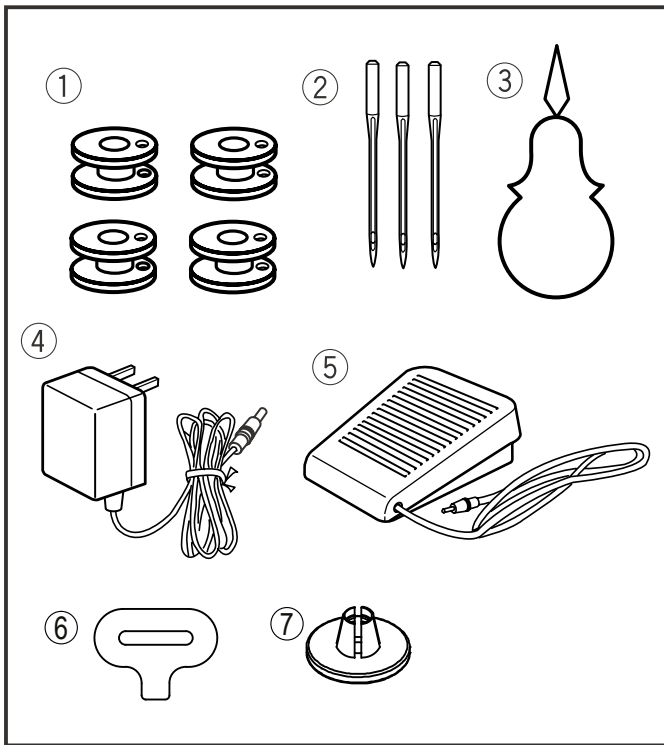
Cleaning the Bobbin Holder.....	16
Troubleshooting.....	17

SECTION 1. NAMES OF PARTS

Names of Parts



- ① Bobbin winding tension disk
- ② Upper thread guide
- ③ Thread take-up lever
- ④ Thread tension dial
- ⑤ Needle plate
- ⑥ Bobbin cover plate
- ⑦ Reverse stitch lever
- ⑧ Stitch selector
- ⑨ Needle clamp screw
- ⑩ Needle bar thread guide
- ⑪ Needle
- ⑫ Presser foot
- ⑬ Setscrew
- ⑭ Bobbin winder spindle
- ⑮ Bobbin winder stopper
- ⑯ Handwheel
- ⑰ Foot switch jack
- ⑱ AC adapter jack
- ⑲ Presser foot lifter
- ⑳ Spool pin
- ㉑ LED light
- ㉒ Thread cutter
- ㉓ Finger guard



Standard Accessories

1. Bobbins (Class 15 Transparent)
2. Needle
3. Threader
4. AC adapter
5. Foot switch
6. Screwdriver
7. Spool pin cap

SECTION 2.

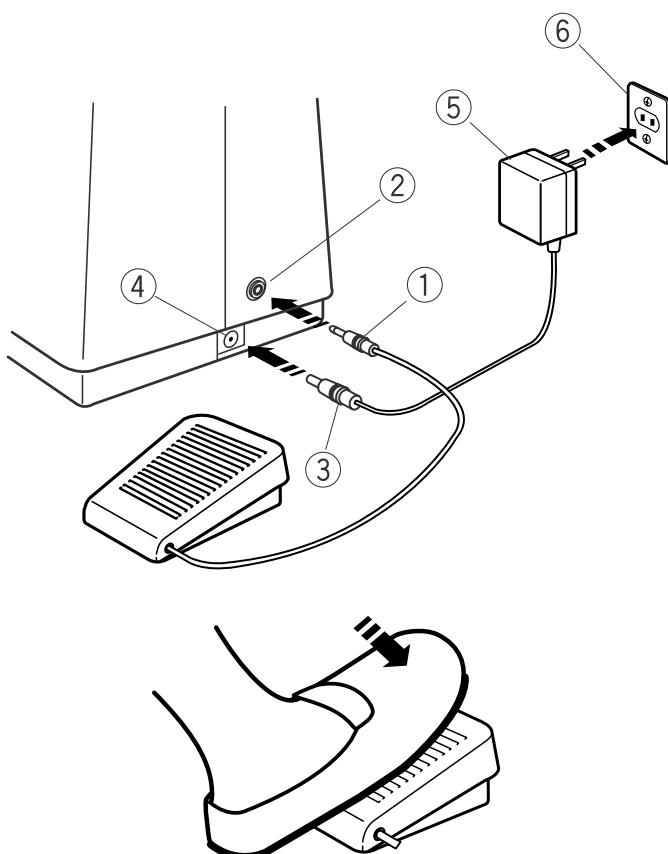
GETTING READY TO SEW

Connecting Machine to Power Supply



WARNING:

Do not use any AC adapter other than one included in the standard accessory. Before connecting the AC adapter, make sure the voltage and frequency shown on the AC adapter conform to your electrical power.



1. Insert the foot switch plug into the foot switch jack.
2. Insert the AC adapter plug into the AC adapter jack.
3. Insert the AC adapter into the power outlet.

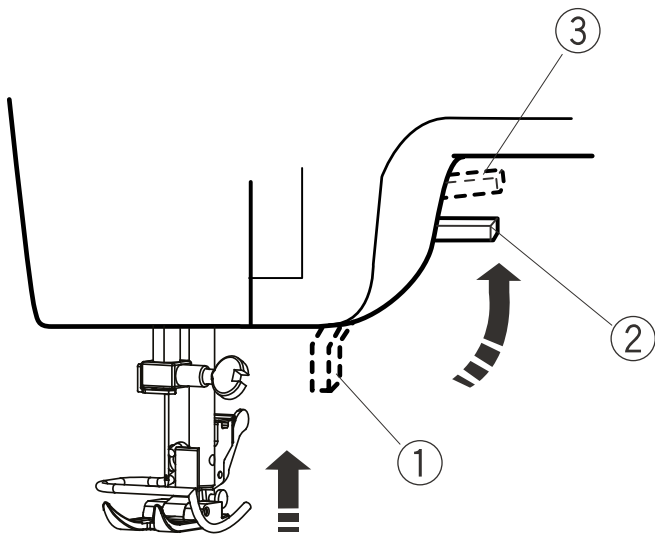
- ① Foot switch plug
- ② Foot switch jack
- ③ AC adapter plug
- ④ AC adapter Jack
- ⑤ AC adapter
- ⑥ Power outlet

Foot Switch

The foot switch turns on and off the power, it does not control sewing speed.

Press on the foot switch to start the machine.

Release the foot switch to stop the machine.



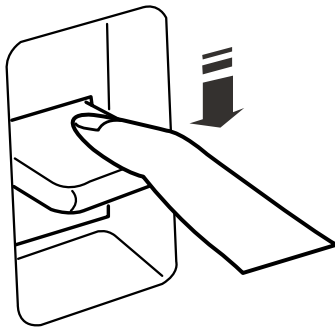
Presser Foot Lifter

The presser foot lifter raises and lowers the presser foot.

You can raise it higher than the normal up position to more easily place fabric under the foot.

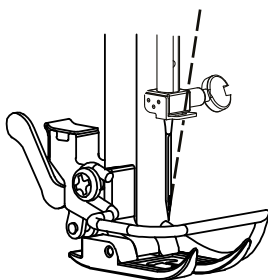
Remember to lower the presser foot onto the fabric before starting to sew.

- ① Presser foot lifter in down position
- ② Normal up position
- ③ Highest position



Reverse Stitch Control

Press and hold the Reverse Stitch Lever to sew in reverse.

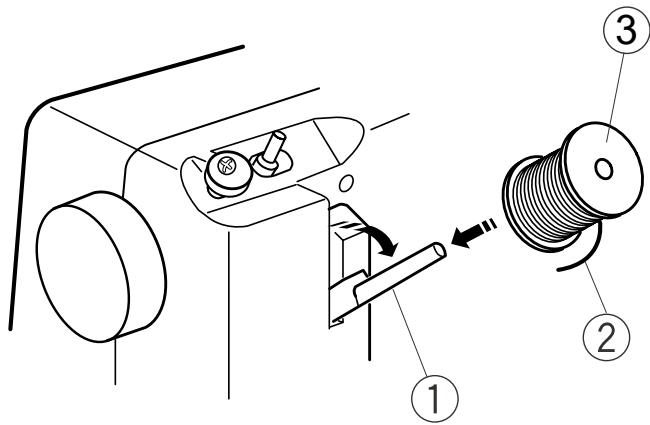


Finger Guard

Your machine is now fitted with a Finger Guard.

This is designed to help protect your fingers from coming in contact with the needle.

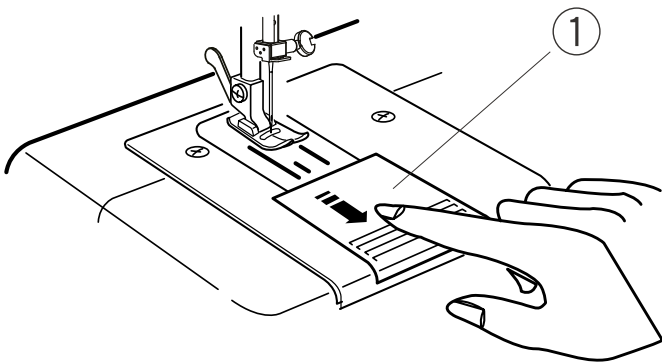
To remove, loosen the setscrew and remove the finger guard. Make sure the presser foot and its holder are in the correct position, then tighten the setscrew with a screwdriver.



Bobbin Winding

The spool pin is located in the back of the sewing machine. Tilt out the spool pin. Place the spool of thread on it. The end of the thread should be coming out from the spool as shown.

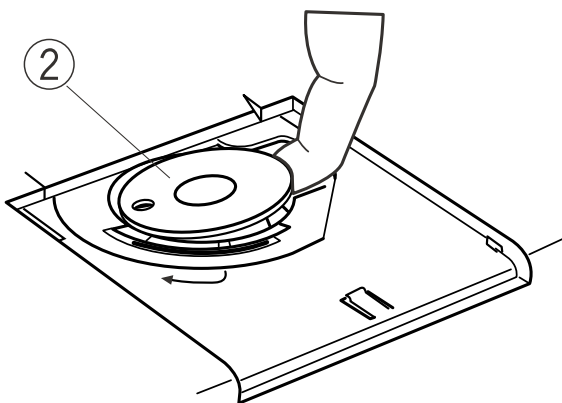
- ① Spool pin
- ② End of the thread
- ③ Spool of thread



Removing the bobbin

Slide the bobbin cover plate toward you and remove it.

- ① Bobbin cover plate



Lift out the bobbin from the bobbin holder.

- ② Bobbin



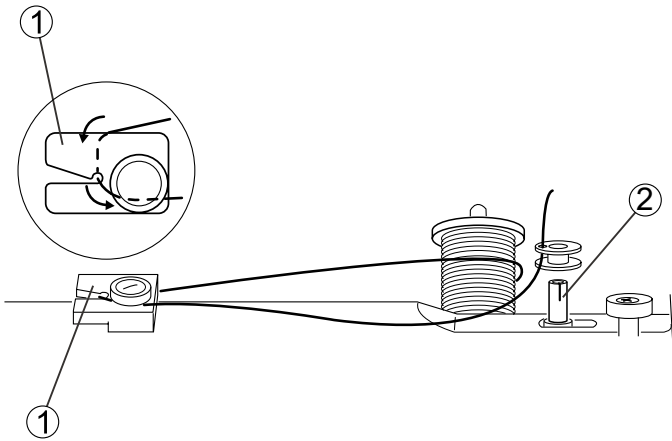
WARNING:

The needle and take-up lever move up and down while winding the bobbin.

Keep fingers away from all moving parts.

Special care is required around the sewing machine needle.

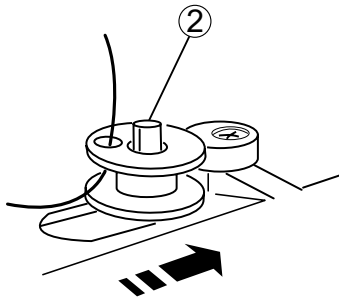
To avoid possible injury, do not touch any moving parts.



Draw the thread from the spool.

Pass the thread clockwise in front of the bobbin winding tension disk, then bring the end of the thread toward the right. Make sure the thread is snugly under the bobbin winding tension disk.

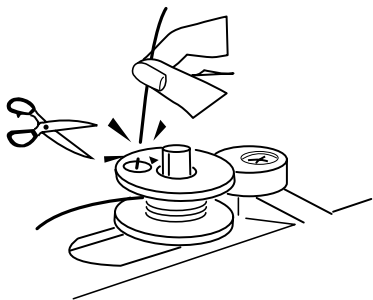
① Bobbin Winding Tension Disk



Thread through the hole in the bobbin from the inside to the outside.

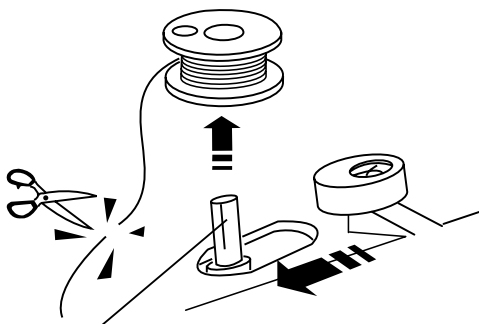
Put the bobbin on the bobbin winder spindle.

② Bobbin winder spindle



With the free end of the thread held in your hand, depress the foot switch.

After the bobbin has wound for about 10 seconds, stop the machine and cut the thread close to the hole in the bobbin.



Depress the foot switch again.

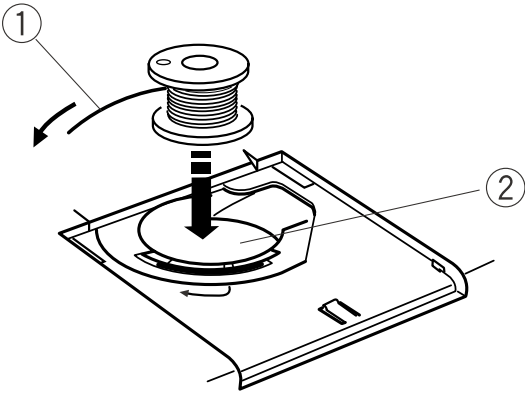
When the bobbin is fully wound, it stops automatically.

Return the bobbin winder to its original position by moving the spindle to the left, and cut the thread.

Inserting the bobbin

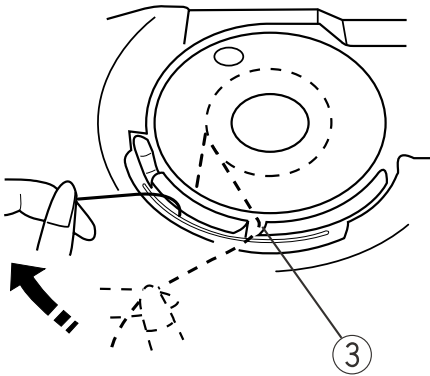
Place the bobbin in the bobbin holder with the thread running off counterclockwise.

- ① Thread
- ② Bobbin holder



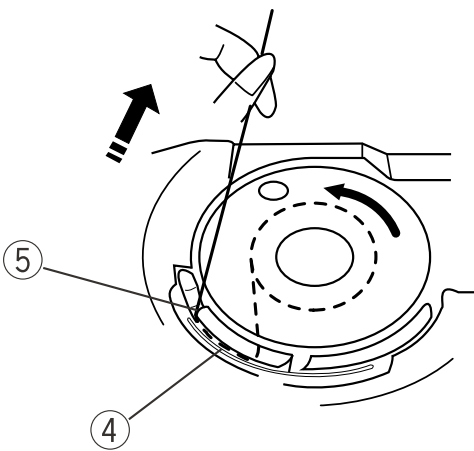
Guide the thread into the notch on the front of the bobbin holder.

- ③ Notch on the front.



Draw the thread to the left, sliding it between the tension spring blades.

- ④ Spring blades

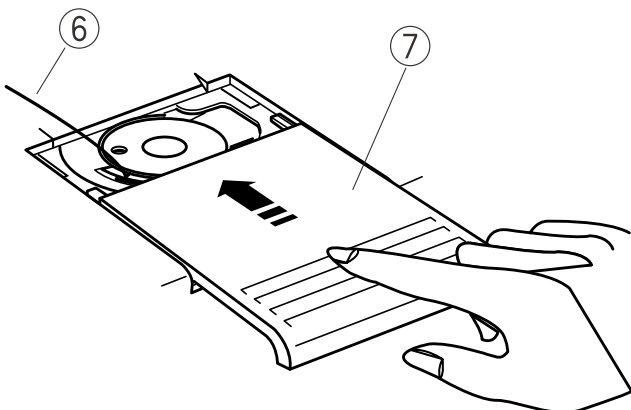


Continue to draw the thread lightly until the thread slips into the notch on the side.

- ⑤ Notch on the side

Pull out about 10 cm (4") of thread to the rear. Reattach the bobbin cover plate.

- ⑥ Thread
- ⑦ Bobbin cover plate



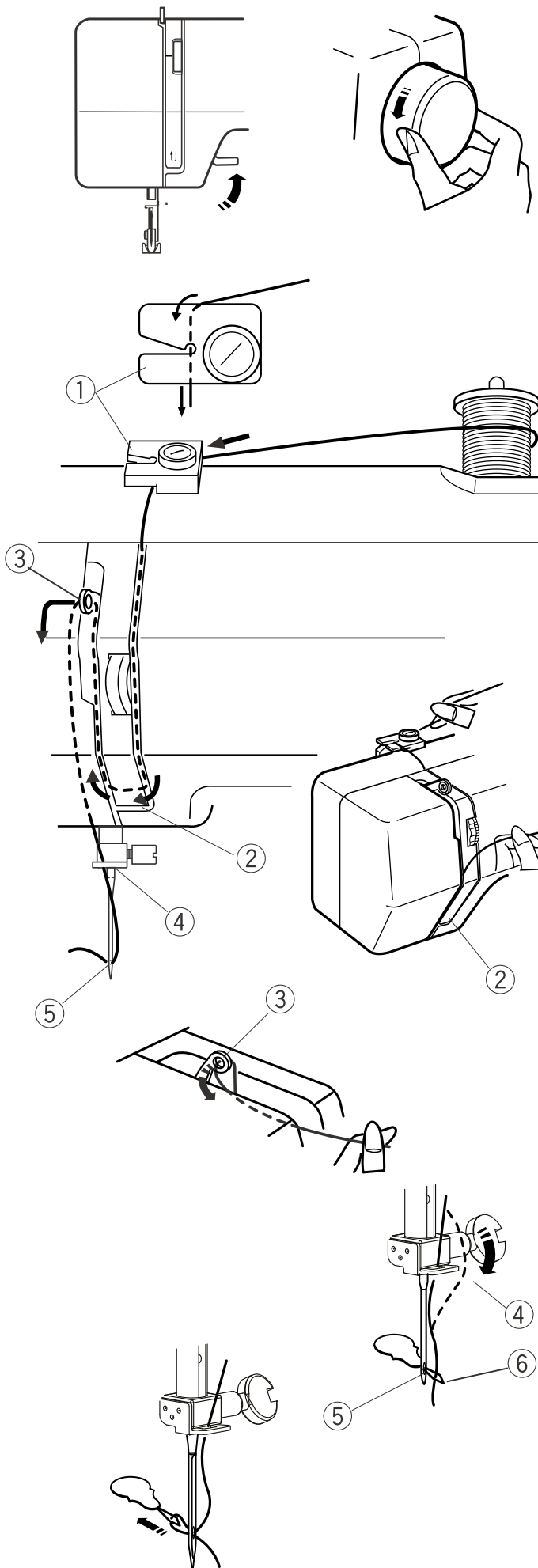
Threading the Machine



WARNING:

Disconnect the AC adapter from the machine before threading.

- * Place a spool on the spool pin, with thread coming off as shown.
- * Raise the thread take-up lever to its highest position by turning the handwheel counterclockwise.
- * Raise the presser foot.



Draw the end of thread around under the thread guide.

① Thread guide

While holding the thread with your right hand near the spool, use your left hand to draw the end of the thread down along the right channel and around the bottom of the guide plate.

② Guide plate

Firmly draw the thread up along the left channel.

Pass the thread through the eye of the take-up lever from right to left.

③ Take-up lever

Draw the thread down along the left channel and pass it behind the needle bar thread guide from the left.

④ Needle bar thread guide

Insert the threader loop through the needle eye from behind.

Pass the thread end through the threader loop.

⑤ Needle eye

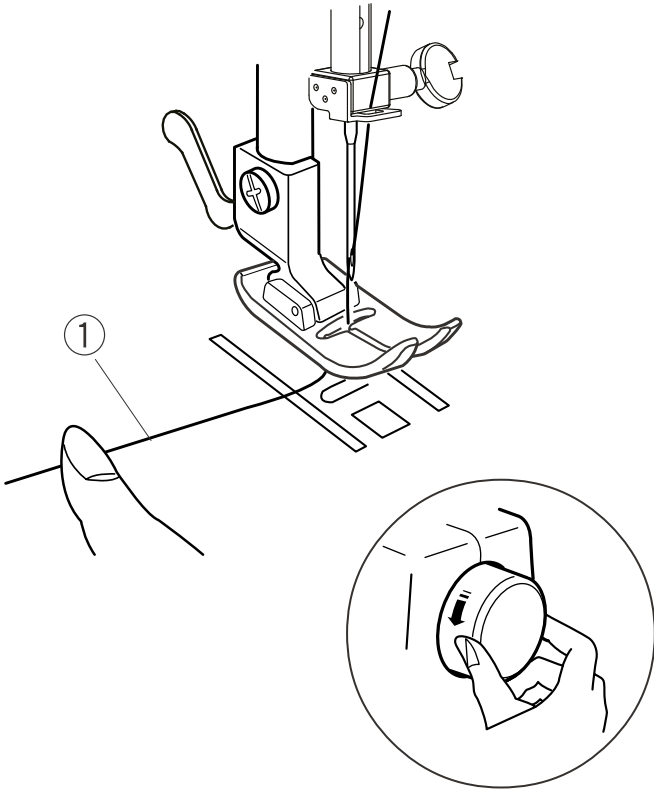
⑥ Threader loop

Pull the threader loop out from the needle eye. Remove the thread end from the threader loop.

Drawing up Bobbin Thread

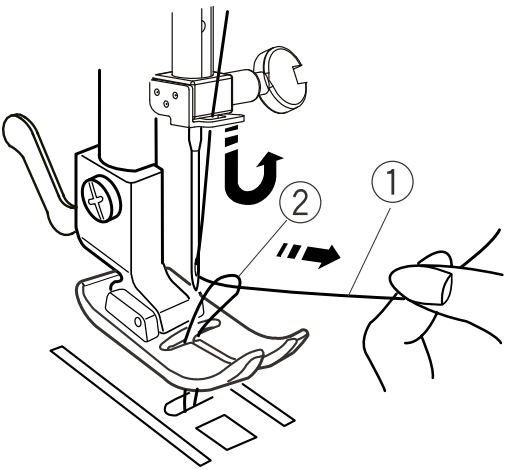
Raise the presser foot. Lightly pull the needle thread with your left hand as you rotate the handwheel counterclockwise, toward you, for one complete turn.

① Needle thread

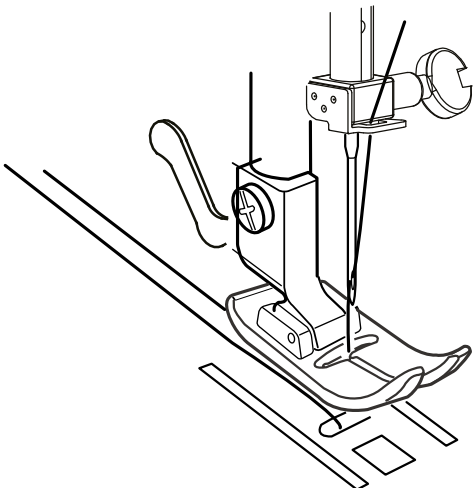


Bring the bobbin thread up by pulling the needle thread.

② Bobbin thread



Pull both threads 4" to 6" (10 to 15 cm) under and behind the presser foot.

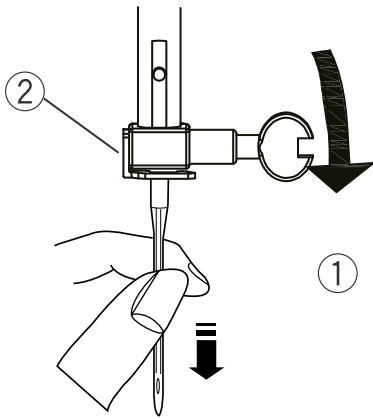


Changing Needle



WARNING:

Disconnect the AC adapter from the machine before threading.



Raise the needle by turning the handwheel and lower the presser foot.

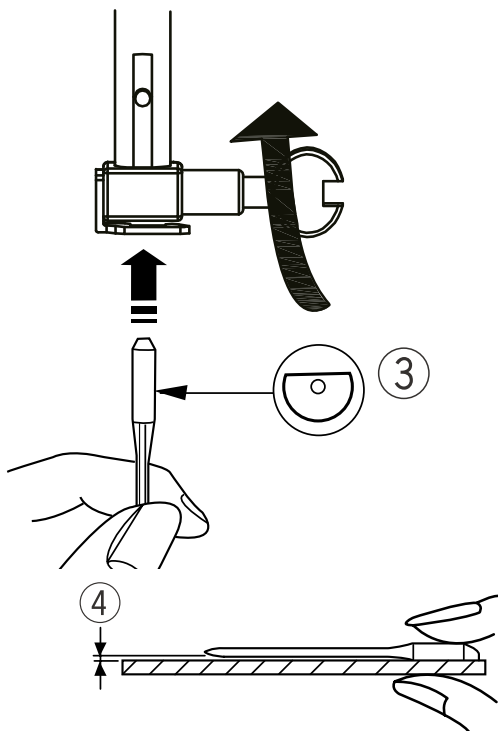
Loosen the needle clamp screw by turning it counterclockwise.

Remove the needle from the needle clamp.

Insert a new needle into the needle clamp with the flat side to the rear. When inserting the needle into the needle clamp, push it up as far as it goes.

Tighten the needle clamp screw firmly by turning it clockwise.

- ① Needle clamp screw
- ② Needle clamp
- ③ Flat side



To check if a needle is bent, place the flat side of the needle onto something flat (e.g., needle plate or glass). The gap between the needle and the flat surface should be consistent.

- ④ Gap

Never use a bent or blunt needle.

A damaged needle can cause permanent snags or runs in knits, fine silks and silk-like fabrics.

Selecting Needle and Thread

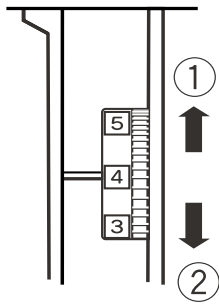
	Fabric	Thread	Needle
Light to Medium Weight	Organdy, Georgette, Linen, Cotton	50 Silk 50 Cotton 50 to 90 Polyester	11(65) or 14(90)

NOTES:

This machine is equipped with the size #14 (90) needles only.

Extra thick or heavy fabrics cannot be sewn with this machine.

Do not attempt to sew if the machine does not feed the material or the needle does not penetrate into the fabric.



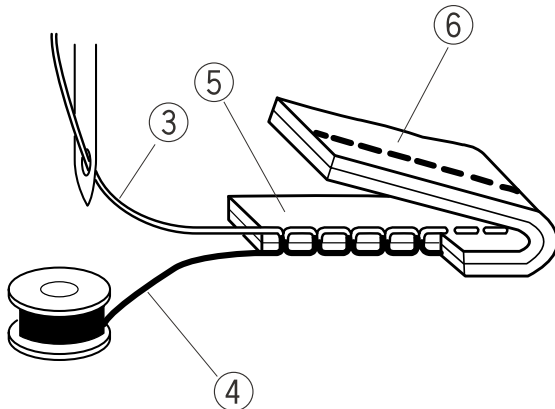
Adjusting the Needle Thread Tension

Balanced tension

The ideal straight stitch has threads locked between two layers of fabric, as illustrated.

Turn the dial to adjust the tension.

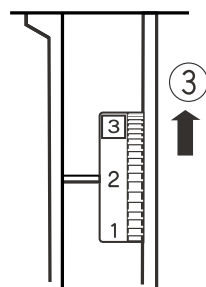
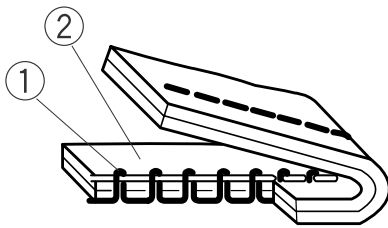
- ① To loosen
- ② To tighten



The tension requires adjustment depending on:

- stiffness and thickness of the fabric
- number of fabric layers
- type of stitch

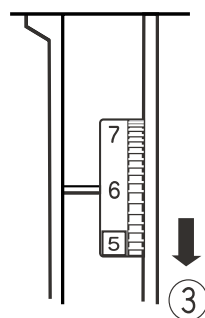
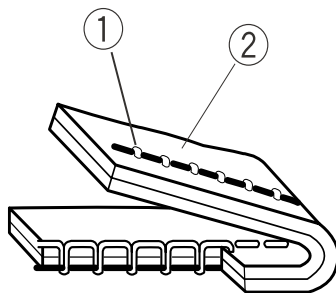
- ③ Needle thread (Top thread)
- ④ Bobbin thread (Bottom thread)
- ⑤ Right side (Top side) of fabric
- ⑥ Wrong side (Bottom side) of fabric



Tension is too tight

If the bobbin thread shows through on the right side (top side) of the fabric, turn the dial to a lower number to loosen the needle thread tension.

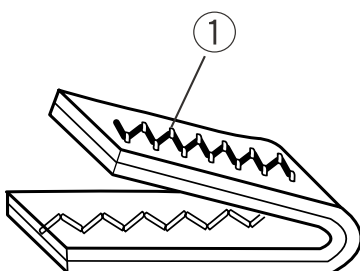
- ① Bobbin thread (Bottom thread)
- ② Right side (Top side) of fabric
- ③ To loosen



Tension is too loose

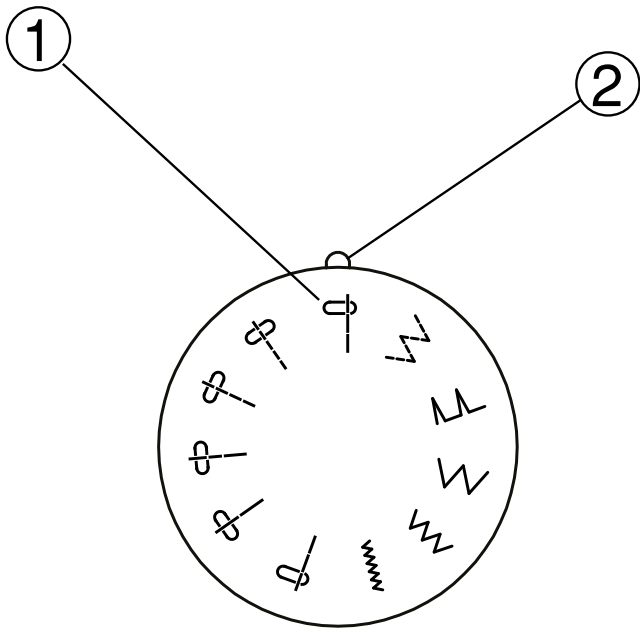
If the needle thread shows through on the wrong side (bottom side) of the fabric, turn the dial to a higher number to tighten the needle thread tension.

- ① Needle thread (Top thread)
- ② Wrong side (Bottom side) of fabric
- ③ To tighten



For an ideal zigzag stitch, the bobbin thread should not show on the top side of the fabric and needle thread should show slightly on the bottom side of the fabric.

- ① Needle thread (Top thread)



Stitch Selector

Raise the needle above the fabric.



CAUTION:

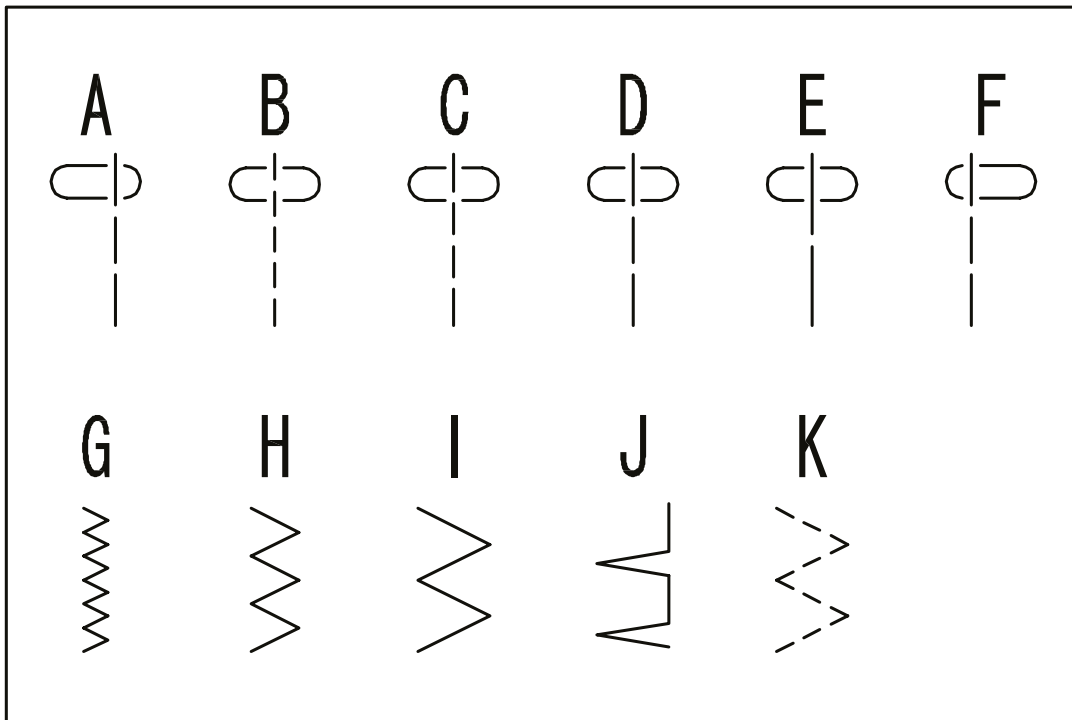
To avoid needle or fabric damage, make sure the needle is up and out of the fabric while selecting a stitch.

Turn the dial to select the desired pattern by setting the symbol letter at the setting mark.

- ① Symbol letter
- ② Setting mark

NOTE:

You can fine-tune the stitch length of the straight stitches (patterns B to E) by setting the dial between the symbol letters.



NOTE: This chart is provided for an easy stitch reference to assist with instructions on the following pages.

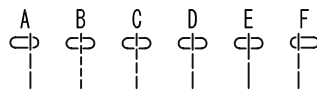
SECTION 3. BASIC SEWING

Straight Stitch

Stitch selector:

A, B~E, F

Needle thread tension: 2 to 6



NOTE:

Stitch length of A, D and F is the same.

A is right needle position, B~E is middle needle position, F is left needle position.

Starting to sew

Raise the presser foot and position the fabric on the needle plate.

Lower the needle to the point where you want to start.

Lower the presser foot and pull the threads toward the back.

Depress the foot switch. Gently guide the fabric, letting the fabric feed naturally.

Securing a seam

To fasten the beginning of a seam, press the reverse stitch control and sew several reverse stitches first.

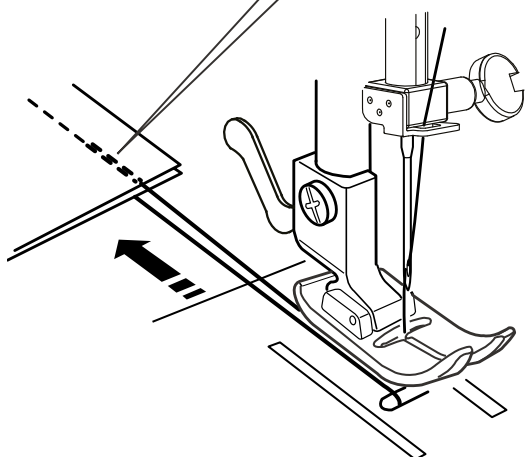
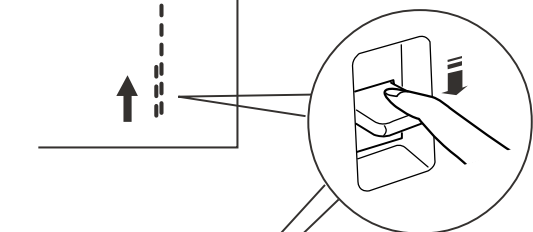
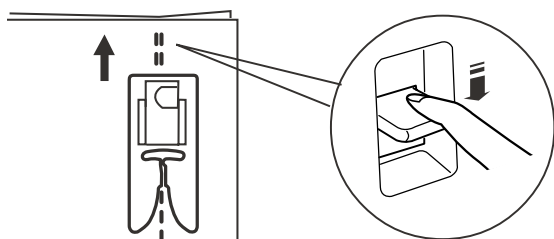
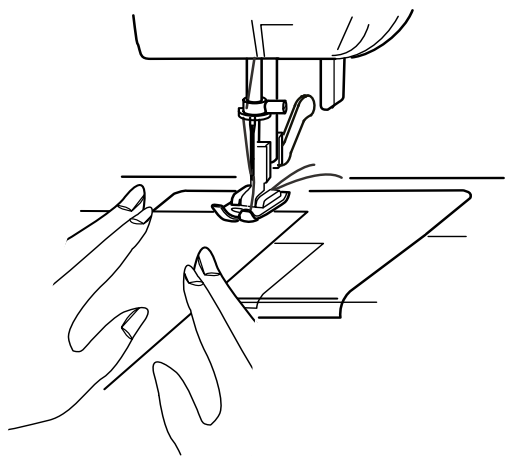
Then start sewing forward.

Finishing sewing

To fasten the ends of a seam, press the reverse stitch control and sew several reverse stitches.

Raise the presser foot.

Remove the fabric and cut the threads.



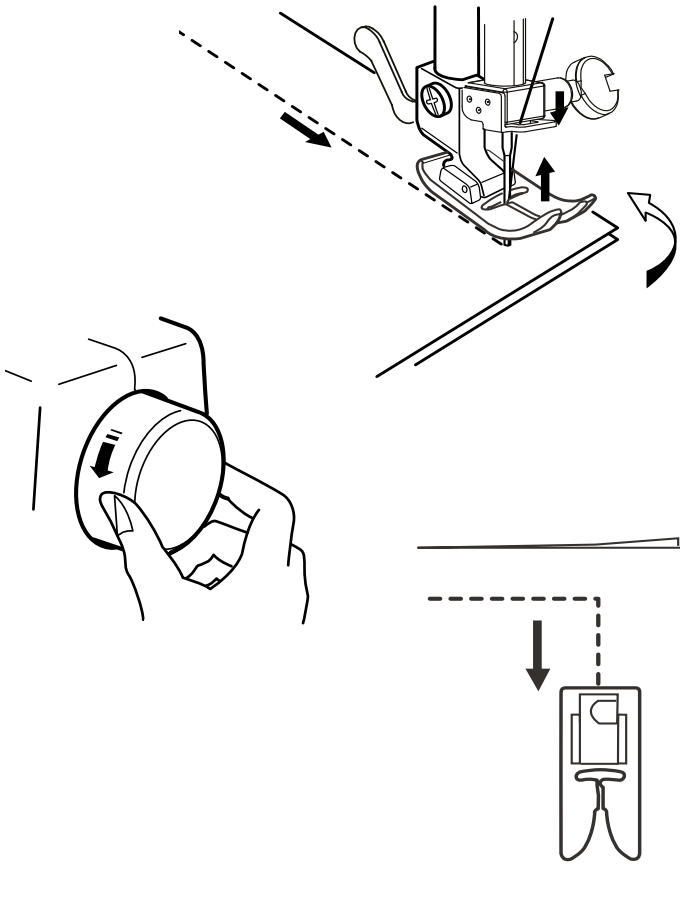
Turning a Square Corner

Stop stitching at the corner of the fabric.




Lower the needle by turning the handwheel counterclockwise.

Raise the presser foot and turn the fabric counterclockwise 90°.

Lower the presser foot and begin stitching in the new direction.



Basic Zigzag

Stitch selector:	G,H,I	G	H	I
Needle thread tension:	2 to 5			



The zigzag stitch is one of the most common and versatile stitches.

It can be a utility stitch for hemming, overcasting, mending and darning.

It can also be used for appliques or as a decorative stitch.

Select a pattern, which is suited for your sewing needs from the 3 patterns available.

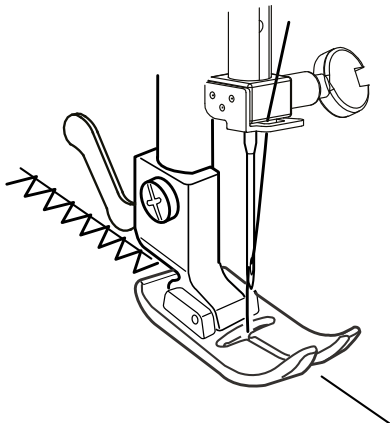
Overcasting with zigzag stitch

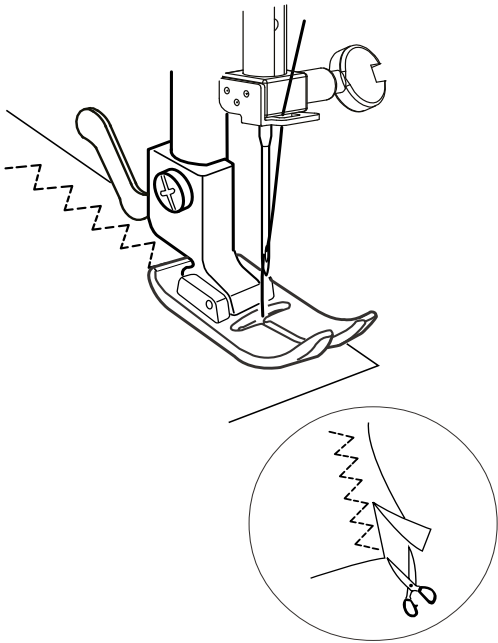
Stitch selector:	H,I	H	I
Needle thread tension:	2 to 5		

Finish raw edge of the fabric to prevent it from ravelling.

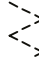
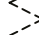
Start overcasting about 1/8"(0.3 cm) inside the raw edge of the fabric.

The stitches on the right should just clear the fabric edge.



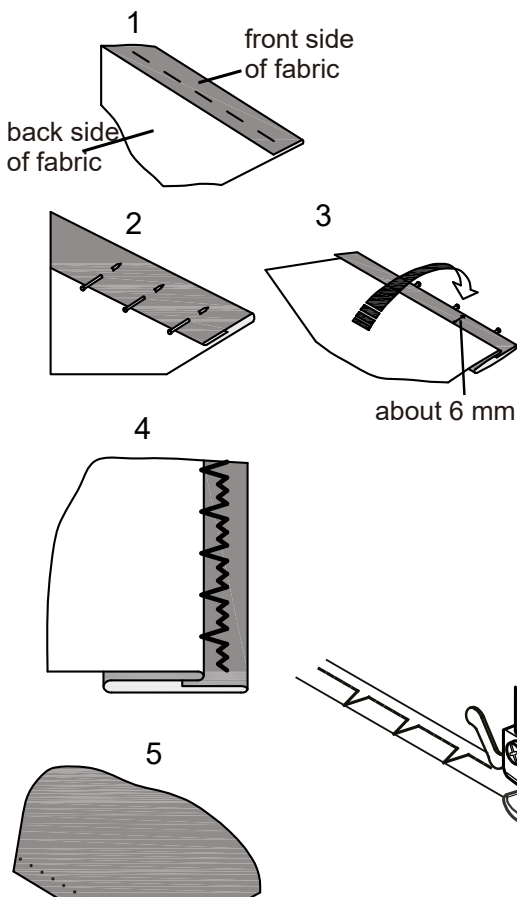


Multi-stitch zigzag



Stitch selector dial: K 
 Upper thread tension dial: 1-4 

Multi-stitch zigzag is good for overcasting stretch fabric. Multi-stitch zigzag stitch has stretch function which will flex with stretch fabric.

Sew approximately 1.5cm from the fabric edge.
 Trim excess seam allowance when finished sewing.



Blind stitch

Stitch selector dial: J 
 Upper thread tension: 1-4 

1. Fold the fabric about 1cm, use straight stitch (stitch selector E) sewing as shown in Fig. 1.
2. Fold the fabric in desired length as Fig. 2, 3.
3. Position the fabric under the presser foot, making the blind stitch drop in the side of fabric as shown in Fig. 4.
4. When finished stitching, the threads should not be visible on the outside of the project. As shown in Fig. 5.

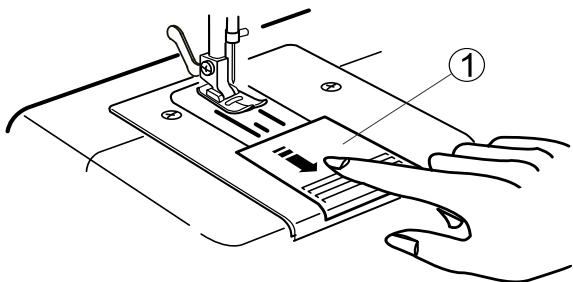
SECTION 4. CARE OF YOUR MACHINE

Cleaning the Bobbin Holder

**CAUTION:**

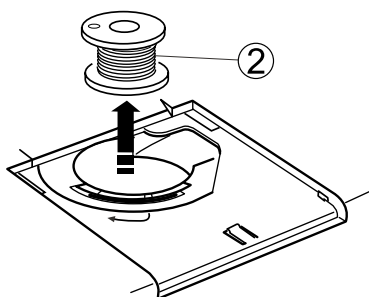
Disconnect the AC adapter jack before cleaning the machine.

Do not dismantle the machine other than as explained in this section.



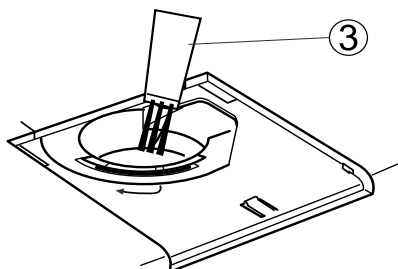
Remove the bobbin cover plate by sliding it toward you.

① Bobbin cover plate



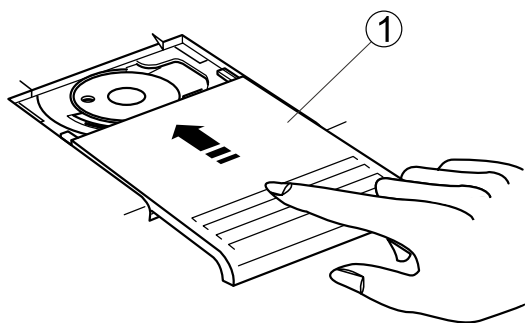
Take out the bobbin.

② Bobbin



Brush out dust and lint with a brush or a vacuum cleaner.

③ Brush



Insert the bobbin and attach the bobbin cover plate.

NOTES:

Do not store the machine in a high-humidity area, near a heat radiator, or in direct sunlight.

Clean the outside of the machine with a soft cloth and mild soap.

Troubleshooting

Condition	Cause	Reference
The needle thread breaks.	<ol style="list-style-type: none"> 1. The needle thread is not threaded properly. 2. The needle thread tension is too tight. 3. The needle is bent or blunt. 4. The needle is incorrectly inserted. 5. The needle thread and the bobbin thread are not set properly under the presser foot at the beginning of sewing. 6. The threads are not drawn to the rear after finishing sewing. 7. The thread is too heavy, or too fine for the needle. 	<p>Page 8</p> <p>Page 11</p> <p>Page 10</p> <p>Page 10</p> <p>Page 13</p> <p>Page 13</p> <p>Page 10</p>
The bobbin thread breaks	<ol style="list-style-type: none"> 1. The bobbin thread is not threaded properly in the bobbin holder. 2. Lint has collected in the bobbin holder. 3. The bobbin is damaged and doesn't turn smoothly. 	<p>Page 7</p> <p>Page 15</p> <p>Change the bobbin</p>
The needle breaks	<ol style="list-style-type: none"> 1. The needle is incorrectly inserted. 2. The needle is bent or blunt. 3. The needle clamp screw is loose. 4. The needle thread tension is too light. 5. The threads are not drawn to the rear after the finishing sewing. 6. The needle is too fine for the fabric being sewn. 	<p>Page 10</p> <p>Page 10</p> <p>Page 10</p> <p>Page 11</p> <p>Page 13</p> <p>Page 10</p>
Skipped stitches	<ol style="list-style-type: none"> 1. The needle is incorrectly inserted. 2. The needle is bent or blunt. 3. The needle and/or threads are not suitable for the work being sewn. 4. The needle thread is not threaded properly. 5. The wrong needle is used. 	<p>Page 10</p> <p>Page 10</p> <p>Page 10</p> <p>Page 8</p> <p>Change the needle</p>
Seam puckering	<ol style="list-style-type: none"> 1. The needle thread tension is too tight. 2. The needle thread is not threaded properly. 3. The needle is too heavy for the fabric being sewn. 	<p>Page 11</p> <p>Page 8</p> <p>Page 10</p>
The fabric is not fed	<ol style="list-style-type: none"> 1. The fabric is too thick. 	<p>Page 10</p>
The machine does not run	<ol style="list-style-type: none"> 1. The AC adapter or foot switch jack is not connected properly. 2. A thread is caught in the bobbin holder. 	<p>Page 3</p> <p>Page 15</p>
The machine is noisy	<ol style="list-style-type: none"> 1. There is thread caught in the bobbin holder. 2. Lint has built up in the bobbin holder. 	<p>Page 15</p> <p>Page 15</p>

We reserve the right to change the machine equipment and the assortment of accessories without prior notice, or make modifications to the performance or design. Such modifications, however, will always be to the benefit of the user and the product.

INTELLECTUAL PROPERTY

SINGER, and the Cameo “S” Design, are exclusive trademarks of The Singer Company Limited S.à.r.l. or its Affiliates.



Please note that on disposal, this product must be safely recycled in accordance with relevant National legislation relating to electrical/electronic products. Do not dispose of electrical appliances as unsorted municipal waste, use separate collection facilities. Contact your local government for information regarding the collection systems available. When replacing old appliances with new ones, the retailer may be legally obligated to take back your old appliance for disposal free of charge.

If electrical appliances are disposed of in landfills or dumps, hazardous substances can leak into the groundwater and get into the food chain, damaging your health and well-being.

MANUFACTURER

VSM Group AB

Soldattorpsgatan 3, SE-55474 Jönköping, SWEDEN

